

NEMABOX-LG-H-AL

Weatherproof Enclosure with Dual Point Temperature Controller



- Molded Fiberglass Reinforced Polyester (FRP) industrial Enclosure
- NEMA Type 3R, 3RX / IP24 rated
- Custom housing for various IC Realtime Recorders and Cameras
- Fully gasketed raised Vented lid with removable filters & integral mounting flange
- Stainless steel quick release latches with padlock hasps
- Aluminum mounting plate with surge protected duplex 120 VAC outlets
- Thermostat Controlled Heating & Cooling System

System Overview

The NEMA ICE BOX-HEATER is a fully customizable housing used with various IC Realtime recorders and cameras for the outdoor applications subjected to wide extreme hot and cold environments thanks to its 200 watt heating element and two cooling fans. Constructed from molded fiberglass reinforced polyester, the enclosure is a rugged weatherproof design that is well suited for installations subjected to hard rain, heat or snow. Inside the box is a large aluminum mounting plate with four 120 VAC outlets to power internal devices.

Combined with your choice of IC Realtime cameras and recorders, the NEMA ICE BOX-HEATER is a fully weatherproof and vandal proof self-contained device with all required components (cooler, network equipment, power supply, UPS, and LCD monitor).

Functions

Mounting Plate

Included is an aluminum plate, featuring a large unobstructed area to mount equipment. Standard are four 120 VAC outlets to power internal equipment. A convenient terminal strip provides a point to connect the AC line. The mounting plate also has provisions to mount Recorders and/or Network equipment.

Dual Fan Solid State Controller

The NEMA BOX LG-HEATER features a 200 watt heating element and two 120 VAC cooling fans. The internal temperature regulation makes the enclosure ideal for Extreme Hot and Cold/ Snow Environments. The fans and heater are controlled by HyperLink's exclusive solid-state temperature controller that feature Zero Cross Detection for EMI reduction. The controller is discreetly mounted underneath the plate.

Lightning Protection

Surge protection is provided as a standard feature on the internal AC outlets. In addition, the unit can accept up to two optional bulkhead-mount N-Type lightning protectors to protect the coaxial cable runs.

Technical Specification

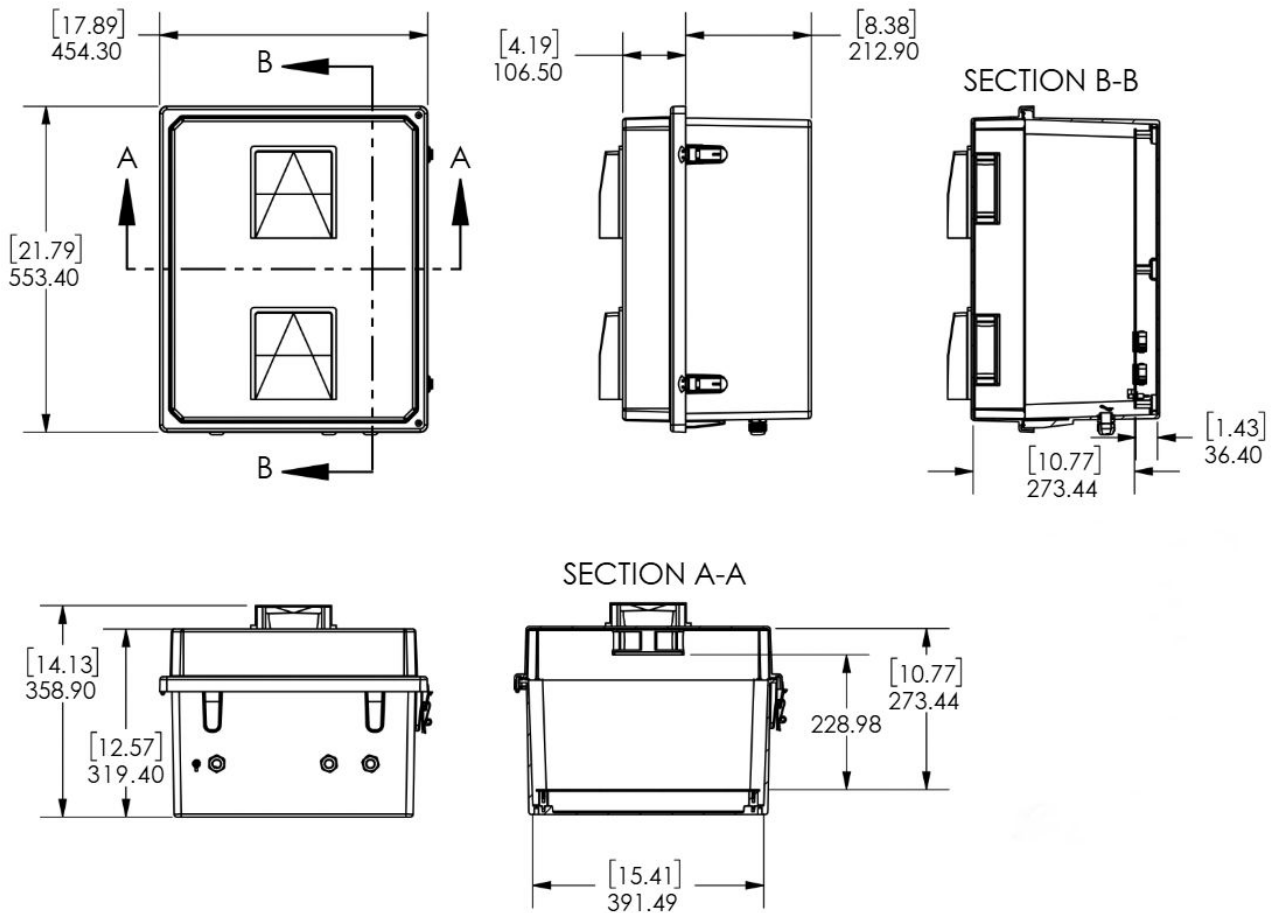
System Overview

Material	Fiberglass Reinforced Polyester
Color	Gray
Voltage	120 VAC
Max Load	15A @ 120VAC
Heater Power	200 Watts
Mounting Plate Material	0.08 in. (2.0mm) Thick Aluminum
Terminal Block Wire Range	12-18 AWG
Terminal Block Wire Strip Length	6-7mm
Mounting Plate Dimensions	18.7 x 14.8 inches (47.5 x 37.8 cm)
Outside Dimensions	21.8 x 17.9 x 14.3 inches (55.3 x 45.4 x 36.3 cm)
Inside Dimensions	18.7 x 14.7 x 9.5 inches (47.5 x 37.4 x 24.1 cm)
Weight	21.8 lbs (9.9 kg)
Cable Feed	1/2" Cable Conduit Connector
Rating	NEMA Type 3R, 3RX/ IP24
Flame Rating	UL 94-5V

Temperature Controller Specification

Cooling Fan Turn-On/Off Temperature	On: 100°F (38°C) ±6°F Off: 79°F (26°C) ±9°F
Heater Turn-On/Off Temperature	On: 43°F (6°C) ±5°F Off: 59°F (15°C) ±5°F

Dimensions (mm/in)



Applications

